

# NS-5/15E Inclinometer

Single Axis Inclinometer  
Measurement Range  
 $\pm 5^\circ$  or  $\pm 15^\circ$   
Analogue Voltage Output



The **E-Series** consist of a single axis tilt sensor integrated with a thick film hybrid circuit for signal processing. Multiple connecting leads are available to support a variety of applications. For example, precision and sensitivity can be improved and zero can be varied by using simple passive components. The sensor element and the hybrid electronics are integrated into a sealed, ceramic package whose bearing surface has been ground flat for easy installation.

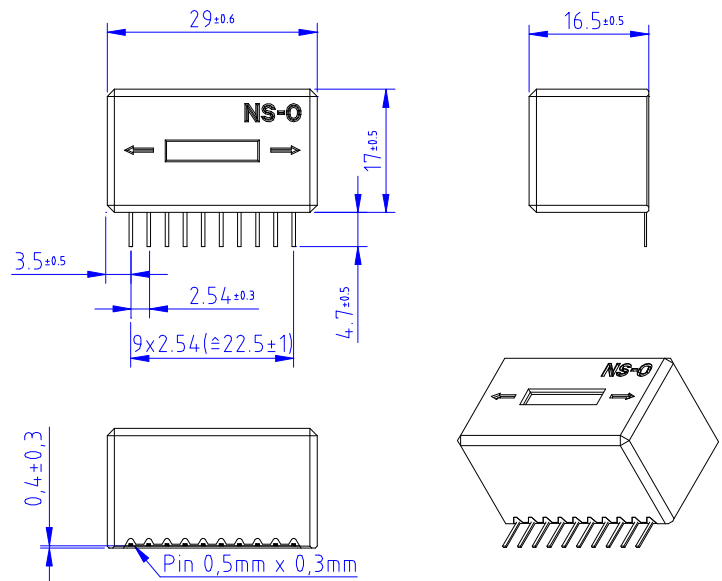
## FEATURES

- High Accuracy
- Low Weight
- High Resolution
- Easy to Integrated
- Solder Contact
- Small Dimensions

## APPLICATIONS

- Platform Leveling
- Road Construction Machines
- Building Control
- Weighing Systems
- Mobile and Stationary Cranes

## dimensions [mm]



## performance specifications

### PARAMETERS

|                             | Conditions | Min      | Type         | Max     | Unit |
|-----------------------------|------------|----------|--------------|---------|------|
| Measurement range (1)       |            | -5 (-15) |              | +5(+15) | °    |
| Repeatability               |            |          | 0.02         |         | °    |
| Linear error                | +/-5°      |          | 0.5          |         | %    |
| Linear error                | +/-10°     |          | 1.5          |         | %    |
| Symmetry error              |            |          | 0.5          |         | °    |
| Zero point offset (2)       |            |          | 0.5          |         | °    |
| Response time               | t90        |          | 1            |         | s    |
| TC zero point               |            |          | 0.5          |         | m°K  |
| TC sensitivity              |            |          | 6.5          |         | m°K  |
| Output signal               | NS-5/E     | -3       |              | +3      | V    |
| Output signal               | NS-15/E    | -1.5     |              | +1.5    | V    |
| Current consumption         |            |          | 5            |         | mA   |
| Power supply                |            | 6.5      |              | 24      | VDC  |
| Operating temperature range |            | -25      |              | +85     | °C   |
| Storage temperature range   |            | -40      |              | +85     | °C   |
| Weight                      |            |          | 20           |         | g    |
| Dimensions                  | W x D x H  |          | 29 x 17 x 16 |         | mm   |

- (1) measurement ranges +/-5° and +/-15° are available  
 (2) external adjustment with potentiometer possible

The information in this sheet has been carefully reviewed and is believed to be accurate; however, no responsibility is assumed for inaccuracies. Furthermore, this information does not convey to the purchaser of such devices any license under the patent rights to the manufacturer. Measurement Specialties, Inc. reserves the right to make changes without further notice to any product herein. Measurement Specialties, Inc. makes no warranty, representation or guarantee regarding the suitability of its product for any particular purpose, nor does Measurement Specialties, Inc. assume any liability arising out of the application or use of any product or circuit and specifically disclaims any and all liability, including without limitation consequential or incidental damages. Typical parameters can and do vary in different applications. All operating parameters must be validated for each customer application by customer's technical experts. Measurement Specialties, Inc. does not convey any license under its patent rights nor the rights of others.

### ordering info

| PART NUMBERING | UNIT    | SHORT DISCRPTION                                           |
|----------------|---------|------------------------------------------------------------|
| G-NSE-001      | NS-5/E  | Range +/-5°,Vcc 6.5...24VDC,voltage output signal +/-3V    |
| G-NSE-013      | NS-15/E | Range +/-15°,Vcc 6.5...24VDC,voltage output signal +/-1.5V |