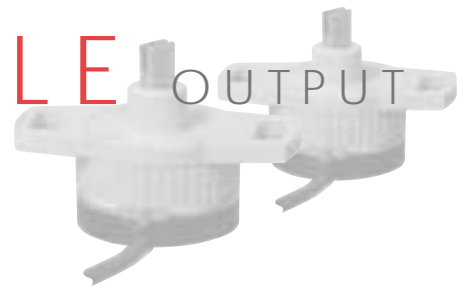


# SRH 280P SINGLE OUTPUT

contactless rotary sensor



## PERFORMANCE

### ELECTRICAL

Measurement range	°	20 to 360 in 1° increments
Supply voltage	Vdc	9 to 30 (unregulated) and 5 ±0.5 (regulated)
Over voltage protection	Vdc	Up to 40 (-40 to +60°C)
Maximum supply current	mA	<12.5
Reverse polarity protection		Yes
Short circuit protection		
Output to GND		Yes
Output to supply		In 5V regulated mode only
Power-on settlement time	S	<1
Resolution	%	0.025 of measurement range (12 bit)
Non-linearity*	%	< ±0.4
Temperature coefficient	ppm/°C	< ±50

\*Non-linearity is measured using the least-squares method on a computerised calibration system

### Analog Output (order code A1, A4) - see graph on page 31

#### Voltage output range

9-30V supply	Vdc	Absolute voltage, 0.5 to 4.5 (A1) or 0.1 to 4.9 (A4) over measurement range (±3%)
5V supply	Vdc	Ratiometric output voltage - 10 to 90% (A1) or 2 to 98% (A4) of Vs over measurement range (±1%)
Monotonic range	Vdc	0.25 (5%) and 4.75 (95%) nominal (A1)
	Vdc	0.5 (1%) and 4.95 (99%) nominal (A4)
Load resistance	Ω	10k minimum (resistive to GND)
Output noise	mVrms	<1
Input/output delay	mS	<2

### PWM Output (order code P) - See output characteristics on page 31

PWM frequency	Hz	244 (P1); 500 (P2); or 1000 (P3) ±20% over temperature range
PWM levels 9-30V supply	Vdc	0 and 5 nominal (±3%)
5V supply	Vdc	0 and Vs (±1%)
Duty cycle	%	10 to 90 over measurement range
Monotonic range	%	5 and 95 nominal
Load resistance	Ω	10k minimum (resistive to GND)
Rise/fall time	µS	<15

### MECHANICAL

Mechanical angle	°	360, continuous
Operating torque - maximum		
sealed shaft IP68	g-cm	120
unsealed shaft IP50	g-cm	100
Shaft velocity maximum	°/sec	3600
Weight	g	<35
Mounting		Use 2 x M4 socket head cap screws and M4 washer - maximum tightening torque 2Nm
Phasing		When shaft flat (or shaft ident mark) is facing toward the cable exit, output is at mid travel. The sensor housing allows for ±10° adjustment via the mounting flange slots.

# SRH280P

## ENVIRONMENTAL

<b>Protection class</b>		IP68 (to 2m depth for 1 hour) or IP50
<b>Life</b>		20 million operations (10x10 <sup>6</sup> cycles) of ±75° Sensing element life is essentially infinite (contactless); the SRH280P life figure refers to the operating shaft seal. Mechanical load (axial and radial) on the shaft should also be considered.
<b>Dither life</b>		Contactless - no degradation due to shaft dither
<b>Operational temperature<sup>†</sup></b>	°C	-40 to +140 (5V supply) -40 to +137 (9V supply) Derate upper temperature limit by 0.57°C for every 1V increase in supply: e.g. -40 to +125 @30V
<b>Storage temperature</b>	°C	-55 to +140
<b>Vibration</b>		BS EN 60068-2-64:1995 Sec 8.4 (14gn rms) 20 to 2000Hz Random
<b>Shock</b>		3m drop onto concrete
<b>EMC Immunity level</b>		BS EN 61000-4-3:1999, to 100V/m, 80MHz to 1GHz and 1.4GHz to 2.7GHz (2004/108/EC)

<sup>†</sup> See Maximum Operating Temperature – Derating graph on page 30  
If the maximum operating temperature is exceeded, the voltage regulator will shut down to protect the device from overheating

## OPTIONS

<b>Measurement range (angle)</b>		Select from 20° to 360° in 1° increments (factory programmed)
<b>Output</b>		Analog voltage (An) or PWM (Pn)
<b>Output direction</b>		Clockwise or Anticlockwise shaft rotation with increasing output
<b>Shaft style</b>		D section, sprung shaft (S) or 2.4mm blade shaft (H)
<b>Shaft sealing</b>		IP50 or IP68
<b>Cable length</b>	m	0.2, 0.5 or 2.0
<b>Custom housing</b>		Synchro mount style with ball race bearings - ask our technical sales team for details
<b>OEM options</b>		Output can be programmed to provide: non linear law; switch output; clamp voltages; faster input/output delay; extended analog range; and output mapping for potentiometer replacements

## AVAILABILITY

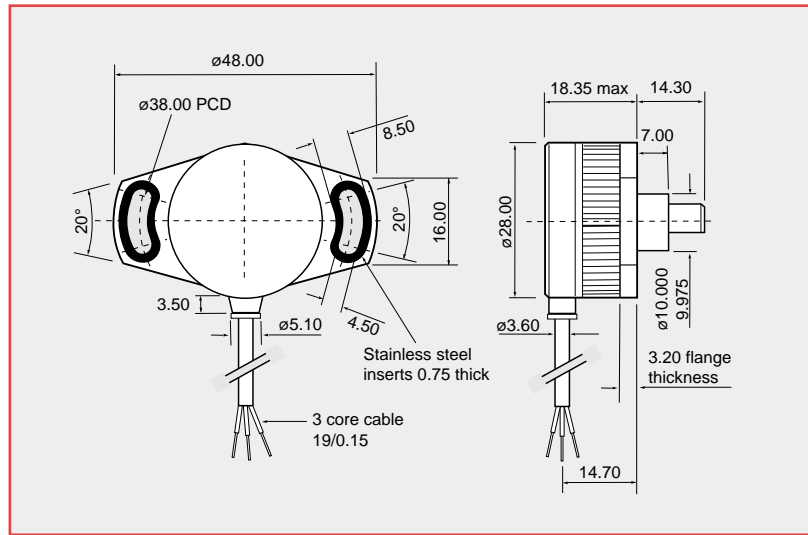
All standard configurations can be supplied rapidly from the factory - check with your local supplier for more details

## ORDERING CODES

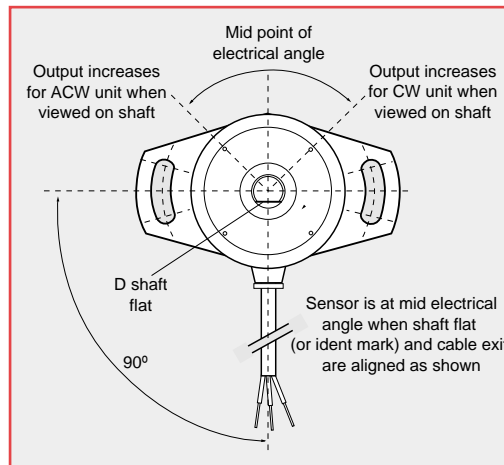
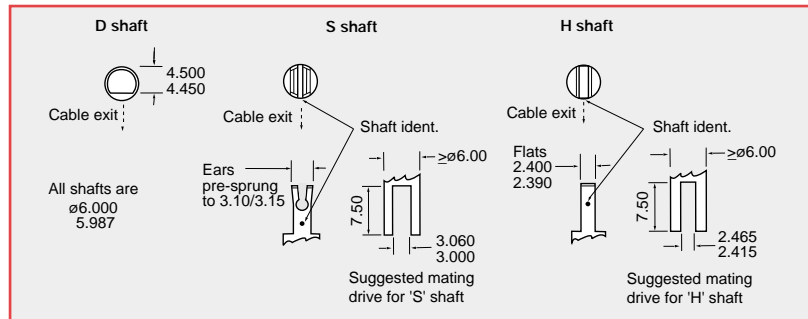
			<b>SRH280P/...../...../...../...../...../.....</b>
Measurement range	= angle in °		
Output	A1 = Analog 0.5-4.5Vdc A4 = Analog 0.1-4.9Vdc P1 = PWM, 244 Hz P2 = PWM, 500 Hz P3 = PWM, 1000 Hz		
Direction	1 = Clockwise 2 = Anticlockwise		
Shaft style	D = D shaft S = Sprung shaft H = 2.4mm blade shaft		
Shaft sealing	50 = IP50 68 = IP68		
Cable length	P2 = 0.2m P5 = 0.5m O2 = 2.0m		

## DIMENSIONS

Note: drawings not to scale



## SHAFT OPTIONS



## ELECTRICAL CONNECTIONS

200, 500 or 2000mm of 3-core cable:  
PUR sheathed, with PTFE insulated  
19/0.15 cores

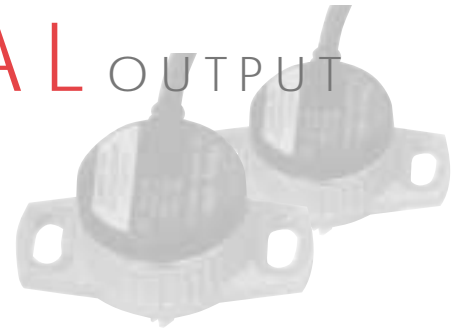
Cable colour	Description
Red	+V Supply
Yellow	Output
Black	0V Supply (GND)

When connecting the sensor, care should be taken with the correct connections. The sensor is provided with reverse polarity protection and short circuit protection between output (Yellow) to GND (Black), **but if the output (Yellow) is connected to the supply it will result in device failure.**

Output increases with CW or ACW rotation viewed on shaft - depending on selected order code

# SRH280DP DUAL OUTPUT

## contactless rotary sensor



### PERFORMANCE

#### ELECTRICAL

Measurement range	°	20 to 360 in 1° increments
Supply voltage	Vdc	9 to 30 (unregulated) and 5 ±0.5 (regulated)
Over voltage protection	Vdc	Up to 40 (-40 to +60°C)
Maximum supply current	mA	<25
Reverse polarity protection		Yes
Short circuit protection		
Output to GND		Yes
Output to supply		In 5V regulated mode only
Power-on settlement time	S	<1
Resolution	%	0.025 of measurement range (12 bit)
Non-linearity*	%	< ±0.4
Temperature coefficient	ppm/°C	< ±30 in 5V supply mode; < ±90 in 9-30V supply mode

\* Non-linearity is measured using the least-squares method on a computerised calibration system

#### Analog Output (order code A1, A4) – see graph on page 31

Voltage output range		
9-30V supply	Vdc	Absolute voltage, 0.5 to 4.5 (A1) or 0.1 to 4.9 (A4) over measurement range (±3%)
5V supply	Vdc	Ratiometric output voltage - 10 to 90% (A1) or 2 to 98% (A4) of Vs over measurement range (±1%)
Monotonic range	Vdc	0.25 (5%) and 4.75 (95%) nominal (A1)
	Vdc	0.05 (1%) and 4.95 (99%) nominal (A4)
Load resistance	Ω	10k minimum (resistive to GND)
Output noise	mVrms	<1
Input/output delay	mS	<2

#### PWM Output (order code Pn) – see output characteristics on page 31

PWM frequency	Hz	244 (P1); 500 (P2); or 1000 (P3) ±20% over temperature range
PWM levels	9-30V supply Vdc	0 and 5 nominal (±3%)
	5V supply Vdc	0 and Vs (±1%)
Duty cycle	%	10 to 90 over measurement range
Monotonic range	%	5 and 95 nominal
Load resistance	Ω	10k minimum (resistive to GND)
Rise/fall time	µS	<15

#### MECHANICAL

Mechanical angle	°	360, continuous
Operating torque - maximum		
sealed shaft IP68	g-cm	120
unsealed shaft IP50	g-cm	100
Shaft velocity maximum	°/sec	3600
Weight	g	<35
Mounting		Use 2 x M4 socket head cap screws and M4 washer - maximum tightening torque 2Nm
Phasing		When shaft flat (or shaft ident mark) is facing toward the cable exit, output is at mid travel. The sensor housing allows for ±10° adjustment via the mounting flange slots.

## ENVIRONMENTAL

<b>Protection class</b>		IP68 (to 2m depth for 1 hour) or IP50
<b>Life</b>		20 million operations (10 x 10 <sup>6</sup> cycles) of ±75° Sensing element life is essentially infinite (contactless); the SRH280DP life figure refers to the operating shaft seal. Mechanical load (axial and radial) on the shaft should also be considered.
<b>Dither life</b>		Contactless - no degradation due to shaft dither
<b>Operational temperature<sup>†</sup></b>	°C	-40 to +140 (5V supply) -40 to +135.7 (9V supply) Derate upper temperature limit by 1.7°C for every 1V increase in supply; e.g. -40 to +100 @30V
<b>Storage temperature</b>	°C	-55 to +140
<b>Vibration</b>		BS EN 60068-2-64:1995 Sec 8.4 (31.4gn rms) 20 to 2000Hz Random
<b>Shock</b>		3m drop onto concrete
<b>EMC Immunity level</b>		BS EN 61000-4-3:1999, to 100V/m, 80MHz to 1GHz and 1.4GHz to 2.7GHz (2004/108/EC)

<sup>†</sup> See Maximum Operating Temperature – derating graph on page 30.

If the maximum operating temperature is exceeded, the voltage regulator will shut down to protect the device from overheating








## OPTIONS

<b>Measurement range (angle)</b>		Select from 20° to 360° in 1° increments (factory programmed) for each output channel
<b>Output</b>		Analog voltage (An) or PWM (Pn)
<b>Output direction</b>		Both clockwise, both anticlockwise or one CW, one ACW
<b>Shaft style</b>		D section, sprung shaft (S) or 2.4mm blade shaft (H)
<b>Shaft sealing</b>		IP50 or IP68
<b>Cable length</b>	m	0.2 or 0.5
<b>Custom housing</b>		Synchro mount style with ball race bearings - ask our technical sales team for details
<b>OEM options</b>		Outputs can be programmed to provide: non linear laws; switch outputs; clamp voltages; different output phasing CH1/CH2; faster input/output delay; extended analog range; and output mapping for potentiometer replacements

## AVAILABILITY

All standard configurations can be supplied rapidly from the factory - check with your local supplier for more details

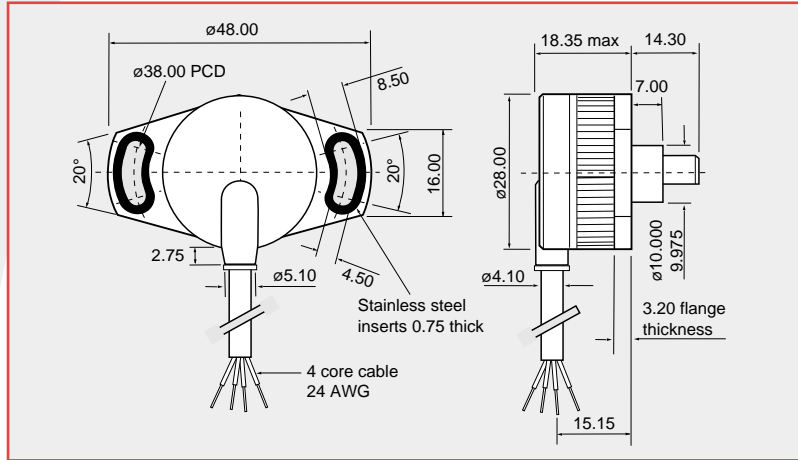
## ORDERING CODES

		<b>SRH280DP/...../...../...../...../...../...../.....</b>
Measurement range	CH1 = angle in °	
Measurement range	CH2 = angle in °	
Output	A1 = Analog 0.5-4.5Vdc A4 = Analog 0.1-4.9Vdc P1 = PWM, 244 Hz P2 = PWM, 500 Hz P3 = PWM, 1000 Hz	
Direction	3 = Both clockwise 4 = Both anticlockwise 5 = CH1 CW; CH2 ACW	
Shaft style	D = D shaft S = Sprung shaft H = 2.4mm blade shaft	
Shaft sealing	50 = IP50 68 = IP68	
Cable length	P2 = 0.2m P5 = 0.5m	

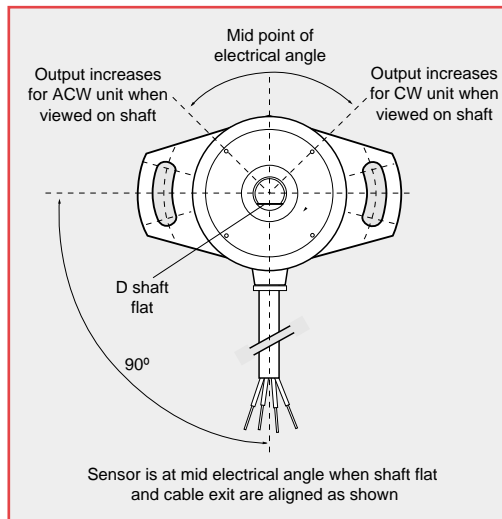
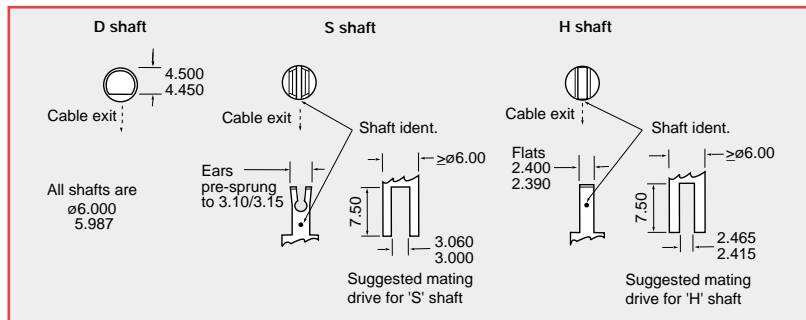
# SRH280DP

## DIMENSIONS

Note: drawings not to scale



## SHAFT OPTIONS



## ELECTRICAL CONNECTIONS

200 or 500mm of 4-core cable: FDR-25 sheathed, with 55A spec (24AWG) cores

Cable colour	Description
Red	+V Supply
Yellow	Output 1
White	Output 2
Black	0V Supply (GND)

When connecting the sensor, care should be taken with the correct connections. The sensor is provided with reverse polarity protection and short circuit protection between outputs (Yellow & White) to GND (Black), **but if the outputs (Yellow & White) are connected to the supply this will result in device failure.**

Output increases with CW or ACW rotation viewed on shaft - depending on selected order code.